

Telex

User Instructions



**Echelon 25XT
Noise Reduction Headset**

TELEX[®]



Echelon 25XT Noise Reduction Headset

Headband Size Adjustment

To adjust the headband size, move the earcup sliders up or down on the headband. Size is properly adjusted when the earcups are centered over the ears. It is important to make the same adjustments to both sides of the headband to keep the headband and pad properly centered over the head.

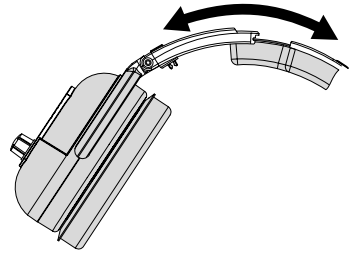


Figure 1
Headband Size Adjustment

Headband Pressure Adjustment

There are three pressure settings for headband comfort. Increasing the pressure will improve the seal between the earcup and the head for greater noise reduction. To change the pressure setting, remove the headset and fold the earcup inward as shown, then rotate the Comfort Cam adjustment knob to the desired setting. Repeat for both earcups. Both sides of the headband should be set to the same pressure setting to keep the headband properly centered on the head.

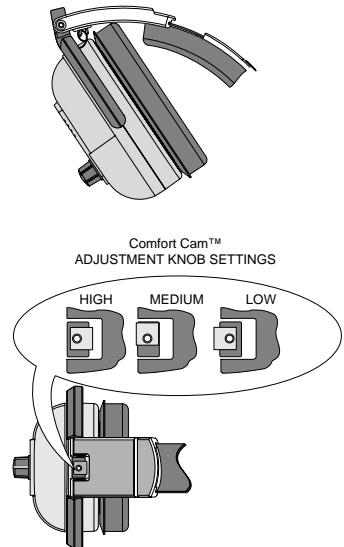


Figure 2
Headband Pressure Adjustment

Left or Right Side Microphone Placement

1. Rotate the boom as shown.
2. Reshape the boom so that the microphone will be at the corner of the mouth.

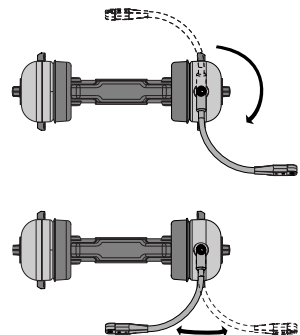


Figure 3
Rotating and Reshaping the Boom

Connection

Connect the headset to the aircraft radio or intercom system as shown in Figure 4.

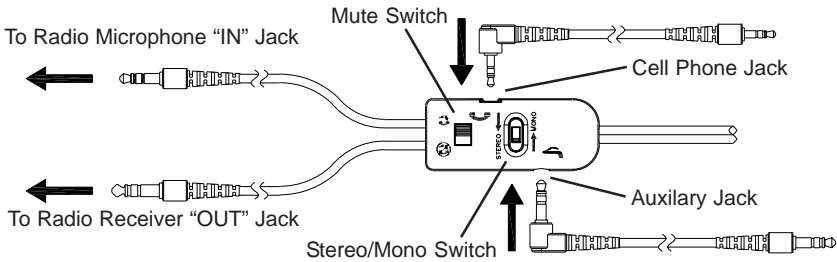


Figure 4
Echelon 25XT Connectors

Stereo Mono Switch

This switch is located on the Y-cord (Figure 4). Set the switch to stereo for aircraft with a stereo intercom system. Set the switch to mono for monaural intercom systems or for direct connection to the aircraft radio.

Cellphone/Audio Interface

The Echelon 25XT includes a unique amplified interface allowing for the connection of a cellular telephone and an audio input simultaneously. This configuration allows the user to set up before take-off and eliminates the need to re-configure cords and equipment when operating the aircraft.

The other unique feature of this interface is the ability to obtain power from the aircraft's possessive communications system. This feature results in increased battery life for the ANR system while maintaining the benefits of an amplified interface. By amplifying the inputs, the Echelon 25XT allows the user to adjust volume level at the headset contributing to the ability to not need re-configuring while in flight.

The Telex Echelon 25XT cell phone/audio interface has been designed to function with the widest array of cellular telephones and portable audio devices. There are cell phones and audio devices on the market not designed to industry physical and electrical standards. These devices are not guaranteed to function properly with the Echelon 25XT headset.

Please see the Telex web site for additional information.

www.telex.com/aircraft

Volume Adjustment

When the microphone is worn on the left side, volume is increased by rotating the top of the volume controls clockwise. Control operation is reversed when the microphone is worn on the right side.

Microphone Gain Adjustment

The microphone gain has been factory-adjusted to the nominal level required for aircraft use and should normally not require readjustment. Readjustment by a qualified avionics technician is recommended. To access the gain trimmer, insert a small flat-blade screwdriver through the access hole in the mic element (Figure 5). Clockwise rotation of the trimmer increases gain.

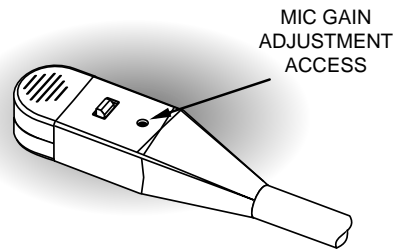


Figure 5
Mic Gain Adjustment

Ear Cushion Replacement

To remove an old ear cushion, simply grasp it and pull it off the earcup. To install a new ear cushion, start at the top of the earcup. Place the flap on the back of the ear cushion over the lip along the top of the earcup. Then pull the bottom of the ear cushion down over the lip at the bottom of the earcup.

Mic Element Removal

Press the release catch on the microphone element, and carefully pull out the element. Avoid pulling the microphone wires. Pull on the plastic connector housing to unplug the microphone element.

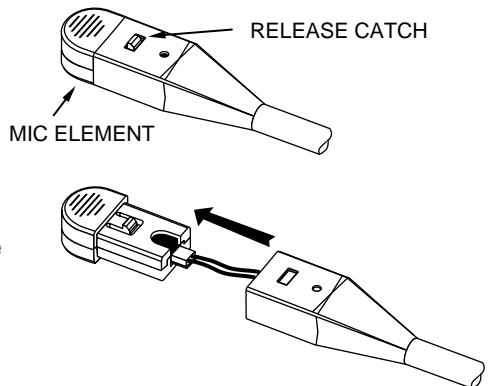


Figure 6
Mic Element Removal for Replacement

Specifications

Receivers

Type: Dynamic

Impedance: Accepts 150-600 ohm sources

Frequency Response: 350 Hz - 3.0 kHz \pm 6dB

Sensitivity: 90 \pm 5 dB SPL for 1 mW, 1 kHz input

Maximum Power Input: 30 mW

Microphone/Amplifier Assembly

Microphone Type: Noise-canceling electret condenser

Output Impedance: 50 ohms (designed for radio input impedances from 50-600 ohms)

Frequency Response: 100 Hz - 3.5 kHz

Sensitivity: -50 \pm 6 dB (ref: 1V/ μ bar)

Operating Voltage: 8-16 Vdc

Cords and Plugs

Cord: 5.5 ft (1.7 m) "Y" cord with stereo/mono selector switch

Receiver Plug: 1/4" stereo phone plug

Microphone Plug: PJ-068 equivalent

Parts List

Item No.	Part No.	Description	Qty
1	800456022	Replacement Head Pad	1
2	590637000	Cord Clip	1
3	800136100	Microphone Element Assembly	1
4	800456021	Foam Ear Pads (set of 2)	1
5	800456000	Windscreen	1
6	CME000009000	Carrying Case	1

TELEX COMMUNICATIONS, INC. - LIMITED WARRANTY

Uniform Limited Warranty: Telex branded products are warranted by Telex Communications, Inc. against malfunction due to defects in materials and workmanship for a specified period, as noted in the individual product line statements below, beginning with the date of original purchase by the end-user. If such malfunction occurs during the specified period, the product will be repaired with new or remanufactured equivalent parts and products or replaced (at our option) without charge. The product will be returned to the customer postage prepaid.

Exclusions and Limitations: The limited warranty does not apply to: (a) exterior finish or appearance; (b) certain specific items described in the individual product line statements below, (c) malfunction resulting from use or operation of the product other than as specified in the product data sheet or owner's manual; (d) malfunction resulting from misuse or abuse of the product, including accidents; (e) defects resulting from excess moisture, lightning or power surges; or (f) malfunction occurring at any time after repairs have been made to the product by anyone other than a Telex Service Department employee or any of its authorized service representatives. The warranty is void if the label bearing the product serial number (if applicable) has been removed or defaced.

Other Express or Implied Warranties Excluded: TO THE EXTENT PERMITTED BY APPLICABLE LAW, THE WARRANTIES SET FORTH HEREIN ARE IN LIEU OF, AND EXCLUSIVE OF, ALL OTHER WARRANTIES, EXPRESS OR IMPLIED. SPECIFICALLY EXCLUDED, WITHOUT LIMITATION, ARE THE WARRANTIES OF MERCHANTABILITY, FITNESS FOR USE OR FOR A PARTICULAR PURPOSE, AND WARRANTIES ARISING FROM COURSE OF DEALING OR USAGE OF TRADE OR ANY OTHER MATTER. IF, UNDER APPLICABLE LAW, IMPLIED WARRANTIES MAY NOT BE VALIDLY EXCLUDED, THE DURATION OF SUCH IMPLIED WARRANTIES IS LIMITED TO THE WARRANTY PERIOD.

Limitation of Remedies; Certain Damages Excluded: REPAIR OR REPLACEMENT OF DEFECTIVE PRODUCTS ARE THE SOLE AND EXCLUSIVE REMEDIES PROVIDED BY TELEX TO THE CUSTOMER OR TO ANY OTHER PERSON AND SHALL CONSTITUTE FULL SATISFACTION OF ALL CLAIMS, WHETHER BASED ON CONTRACT, NEGLIGENCE, STRICT LIABILITY OR OTHERWISE. TELEX'S MAXIMUM LIABILITY SHALL NOT EXCEED THE ACTUAL PURCHASE PRICE PAID FOR THE PRODUCT BY THE CUSTOMER. TELEX AND ITS SUBSIDIARIES SHALL NOT BE LIABLE FOR ANY INDIRECT, INCIDENTAL, PUNITIVE, SPECIAL OR CONSEQUENTIAL DAMAGES INCLUDING, WITHOUT LIMITATION, INJURY TO PERSONS OR PROPERTY OR LOSS OF USE. SOME STATES AND COUNTRIES DO NOT ALLOW THE EXCLUSION OR LIMITATION OF CERTAIN DAMAGES, SO THE ABOVE LIMITATION OR EXCLUSION MAY NOT APPLY TO YOU. IN SUCH STATES AND COUNTRIES, TELEX SHALL BE LIABLE FOR NO MORE THAN THE DIRECT DAMAGES FOR BODILY INJURY AND/OR REAL OR PERSONAL PROPERTY ARISING FROM THE NEGLIGENCE OF TELEX.

Other Rights: This warranty gives you specific legal rights, and you may also have other rights, depending upon where you live.

Obtaining Warranty Service: To obtain warranty service, a customer must deliver the product, prepaid, to the appropriate Telex Service Department listed below or any of its authorized service representatives together with proof of purchase of the product in the form of a bill of sale or invoice.

Applicable Law. The validity, performance and construction of this limited warranty shall be governed by the laws of the State of Minnesota without reference to its choice of law principles. The Minnesota federal courts and/or the state courts located in Hennepin County, Minnesota, shall have exclusive personal and subject matter jurisdiction over, and the parties shall each submit to the jurisdiction of such courts and to venue in Minnesota with respect to any dispute concerning the product or pursuant to this limited warranty, and all objections to such jurisdiction or to such venue are hereby waived.

For additional warranty repair or service information, contact the Telex Service Department listed below:

USA, Canada, & Latin America
1720 E 14th Street
Glencoe, MN 55336
Tel: 320-864-3177
Fax: 320-864-3225

CUSTOMER SERVICE

For information or technical assistance, call, write, or email Telex at:

Customer Service Department
Telex Communications, Inc.
12000 Portland Ave. So.
Burnsville, MN 55337 U.S.A.
(952) 884-4051
www.telex.com/aircraft

When returning equipment for repair, please enclose an explanation of the problem. And, if the equipment is covered under warranty, please enclose a copy of your proof of purchase. The equipment must be accompanied by documentation stating your name, return address, and telephone number.

Return equipment for factory repair to:

Customer Service Department
Telex Communications, Inc.
1720 East 14th St.
Glencoe, MN 55336 U.S.A.
(320) 864-3177

Warranty Repairs - If in warranty, no charge will be made for the repairs. Equipment being returned for warranty repair must be sent prepaid and will be returned prepaid.

Non-warranty Repairs - Equipment that is not under warranty must be sent postage prepaid to Telex. If requested, an estimate of repair costs will be issued prior to service. Once you approve repair, and repair of equipment is completed, the equipment will be returned on a collect on delivery basis. Collect charges may be avoided by sending a signed check for payment in full along with your signed estimate approval form (the estimate includes the shipping charge).

	Telex Warranty Term Lengths					
	1 Month	3 Months	12 Months	24 Months	60 Months	Other
AVIATION						
Echelon 25XT					X	

Note: Subject to change without notice.

Notes

Notes

Notes



TELEX COMMUNICATIONS, INC. • 12000 Portland Ave. S., Burnsville, MN 55337 U.S.A.